

SKSUD2402P

24-INCH UNDERCOUNTER CONVERTIBLE REFRIGERATOR/FREEZER DRAWERS

SIGNATURE
KITCHEN SUITE



DUAL DRAWERS WITH MULTI-TEMP™ SETTINGS

The only built-in undercounter refrigeration unit in its class with 6-mode dual multiple temperature drawers. Both drawers offer a selection of six temperature zones: Pantry, Fridge, Bar, Seafood, Meat, or drop the temperature all the way down to make it a freezer.

QUIET, EFFICIENT AND VERSATILE

These drawers provide a quiet performance of 39 dBA along with ENERGY STAR® Certification to become one of the most versatile products for any room in the home. Both drawers can be refrigerator, freezer or one of each.

PRECISE PRESERVATION

Ingenious features like the Inverter Compressor minimizes temperature fluctuations to within $\pm 1.0^\circ\text{F}$ to maintain freshness.*

ECO FRIENDLY

Engineered to reduce environmental impact with HFC / HCFC free refrigerant, recyclable insulation and recycled materials.

Style

Drawer Style	Panel Ready
Interior Drawer Finish	Metal

Innovation

Wi-Fi-Enabled for ThinQ® Control with iPhone / Android App	Yes
Remote Operations	Yes
Remote Monitoring	Yes
Inverter Compressor	Yes
Dual Drawers with 6 Multi-Temp™ Settings	Yes

Performance

Dual Evaporators	Yes
Adaptive Defrost	Yes

Multi-Temp™ Settings

Freezer (-7° to 5° F), Meat (27° F), Seafood (30° F), Bar (33 to 34° F), Fridge (35 to 43° F), Pantry (50° F)

Modes

Sabbath, Demo, Power On / Off, Temp Control, Smart Diagnosis, WiFi

Capacity and Storage

Total Capacity (cu. ft.)	3.4
Full-Extension Convertible Drawers	2
Self Close Drawers	Yes

* Internal test result measuring average peak to peak temperature fluctuations in the fresh food compartment. Applicable models only. No load and normal temperature setting. The result may vary in actual usage.

© 2021 Signature Kitchen Suite. All rights reserved. Design, features and specifications are subject to change without notice. Specifications are for planning purposes only. Consult the product's installation instructions for final dimensional data and other details prior to making cutouts or custom panels. Consult with a heating and ventilation engineer for your specific ventilation requirements. Non-metric weights and measurements are approximate. Smart features require Internet access.

1-855-790-6655 | www.signaturekitchensuite.com

SKSUD2402P

24-INCH UNDERCOUNTER CONVERTIBLE REFRIGERATOR/FREEZER DRAWERS

General Features

Digital Controls w/White LED Display	Yes
Hidden LED Interior Lighting	Yes
Maximum Sound Level	39 dBA
Star-K Certified Sabbath Mode	Yes
ENERGY STAR® Certified	Yes

Installation Features

Four Point Front Adjustable with 4 Wheels	Yes
Attachment Method to Cabinetry	Top with No Visible Screws
Front Serviceable	Yes
Anti-tip Bracket Included	Yes

Technical Specs

Required Power Supply	115 V, 60 Hz, 15 Amp
Plug Type	3-Prong
Power Cord Length	61"

Dimensions and Weight

Overall Width (inches)	23 11/16"
Overall Height (inches)	34 1/4" Min. – 34 5/8" Max.
Overall Depth Without Panel or Handles (inches)	22 1/2"
Overall Depth With 3/4" Panel, No Handles (Inches)	23 1/4"
Overall Depth With Optional Stainless Steel Panel and Handle Kit (Inches)	25 11/16"
Net Weight (approx.)	142 lbs.
Shipping Weight (approx.)	152 lbs.

Optional Accessories

Stainless Steel Panel and Handle Kit	SKSUK240DS
--------------------------------------	------------

Warranty Summary*

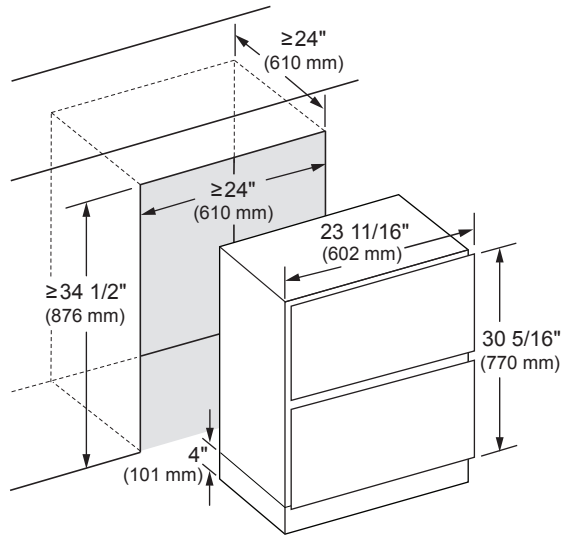
Limited Warranty, Parts & Labor	3 Years
Limited Warranty on Sealed System, Parts and Labor	5 Years
Limited Warranty on Sealed System, Parts Only	10 Years

*These warranties give you specific legal rights and you may have other rights that vary from state to state. For complete warranty details, refer to your Use & Care manual.

SKSUD2402P

24-INCH UNDERCOUNTER CONVERTIBLE REFRIGERATOR/FREEZER DRAWERS

CUTOUT DIMENSIONS – FLUSH INSTALLATION



* A minimum 4" (101 mm) finished return that matches the cabinet exterior is recommended on all sides and at the top of the cutout opening. The shaded area will be visible after installation.

Notes

Refrigerator can be installed flush with 3/4" custom panel or optional stainless steel panel kit.

With a 24" (610 mm) cutout depth, the front face of the refrigerator fits flush with 24" (610 mm) depth adjacent cabinets. Electrical must be installed in adjacent cabinet for flush installation.

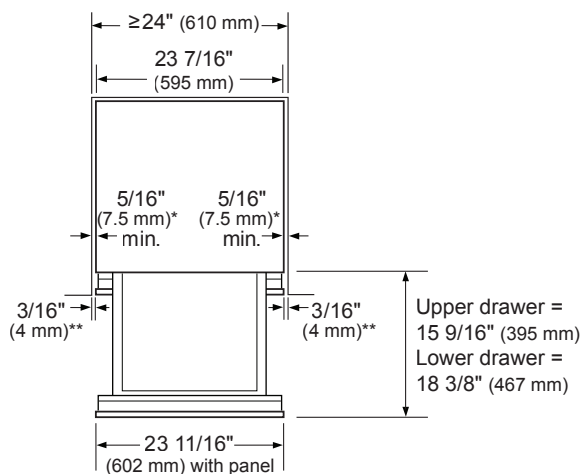
Electrical

A 115V, 60Hz., 15 amp power supply is required. An individual properly grounded branch circuit or circuit breaker is recommended. Install a properly grounded 3-prong electrical receptacle recessed into the back wall or adjacent cabinet.

Note: GFCI (ground fault circuit interrupter) is not recommended.

INSTALLATION CLEARANCES – FLUSH INSTALLATION

TOP VIEW



* Side clearance at cabinet

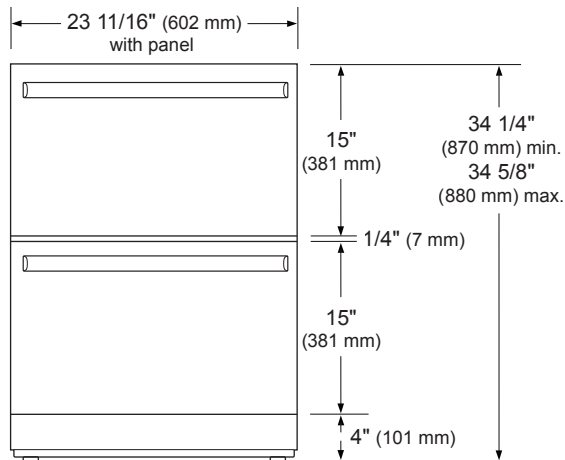
** Side clearance at front panel

SKSUD2402P

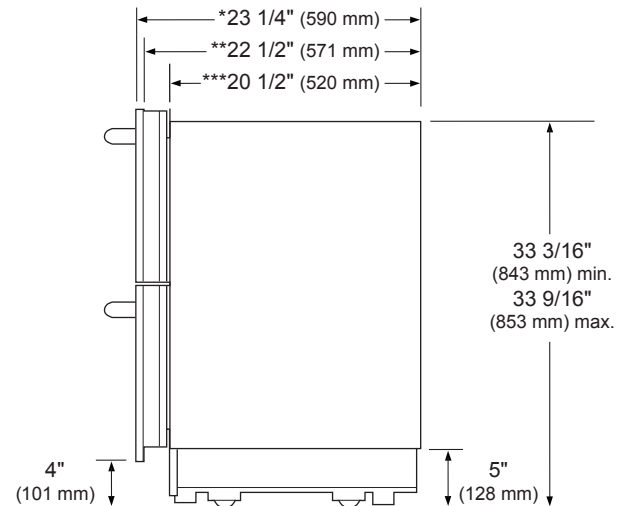
24-INCH UNDERCOUNTER CONVERTIBLE REFRIGERATOR/FREEZER DRAWERS

OVERALL PRODUCT DIMENSIONS

FRONT VIEW

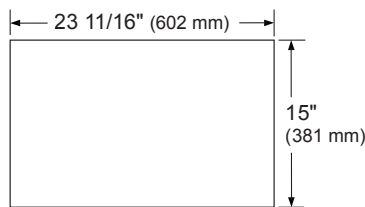


SIDE VIEW



* Depth with 3/4" (19 mm) drawer panel
 ** Depth with drawers (no panel)
 *** Unit depth without drawers

3/4" CUSTOM PANEL DIMENSIONS – FLUSH INSTALLATION



Notes

This unit is designed to be customized with decorative panels. Field-installed custom door panels or an optional Stainless Steel Panel Kit is required.

For Custom Panels: Use templates provided with units to pre-drill holes for mounting panel brackets (provided with unit). Adjustment screws and instructions also provided with units. The custom panel dimensions are same for the upper and lower drawers.

OPTIONAL ACCESSORIES

SKSUK240DS - Stainless Steel Panel and Handle Kit for 24-inch Undercounter Multi-Temp™ Drawer Refrigerator / Freezer

This unit can be installed with an optional Stainless Steel Panel Kit. Kit includes two drawer panels and two handles.